

# BS45 Bikesafe® Bikeway Barrier Specifications

## Top Rail / Handrail & Balustrade Infill Bikeway barrier with offset top rail, handrail and balustrade infill for level and rake



BS45

### Key features

- > Modular flexibility
- > No-weld assembly
- > Flat pack delivery
- > Reduced corrosion
- > Colour options
- > Available ex-stock
- > BIM & CAD Support

### Applications suited to

- > Cycle paths and bikeways
- > Shared pedestrian paths
- > Protection over culverts
- > Footbridges
- > Refer to applicable Aust Standards and Building Codes.

### Specification Summary

Supply and install the proprietary BS45 barrier system to substrate according to Moddex specifications, or by a Moddex accredited installer.

### Technical Data

#### Material

<b>Stanchions, rails &amp; balustrades</b>	Steel/grade C250 & 350
<b>Clamp fittings</b>	Malleable Cast iron
<b>Clamp locking screws</b>	Stainless steel (304)

#### Protective coating

<b>Stanchions, rails and balustrades</b>	G390 Hot-dip Galvanized (min 390g/m <sup>2</sup> )
<b>Clamp fittings</b>	Hot-dip Galvanized with patented protective coating on threads
<b>Optional</b>	Powder coating and paint specs

\*The standard process for Powder Coated and Painted handrail products is as follows: black steel is used for fabrication. The steel is sand blasted and a zinc primer coating is applied. The powder coat / paint coat is then applied over the zinc primer creating a dual shield coating with a decorative finish.

### Dimensions

Variable depending on building/application/ code

#### Stanchions

<b>Diameter</b>	48.3mm OD 41.9mm ID
<b>Nominal Thickness</b>	3.2mm - 4.0mm (loading dependent)

#### Rails

<b>Diameter</b>	48.3mm OD 41.9mm ID
<b>Nominal Thickness</b>	3.2mm

#### Balustrade

<b>Baluster</b>	12mm
<b>Baluster Centres</b>	100mm (88mm gap)
<b>Heavy Duty Baluster</b>	16mm
<b>Baluster Centres</b>	100mm (84mm gap)

#### Clamp fittings

<b>Thickness</b>	5.0mm (approx)
<b>Locking screws</b>	M12 x 1.75 x 11mm - DEXX Drive

### Weight

Variable depending on building/application/ code

<b>Stanchion with clamps</b>	7.2 to 8.0kg
<b>Rail @ 6.0m</b>	21.6kg
<b>Balustrade Panel @ 2.0m</b>	29kg

### Fixings

Stanchion attachment to

<b>Concrete</b>	M12 galvanized mechanical concrete anchor
<b>Structural steel</b>	M16 galvanized high tensile bolt set
*Other Fixing options are available on request	

### Compliance

Moddex balustrades and handrails are designed and manufactured in accordance with Austroads Guide to Road Design and relevant statutory WHS Codes of Practice/ Guidelines. Galvanized to Australian Standard AS/NZS 4680:2006.

### Testing

Stringent vibration endurance tests have been performed and independent testing has been carried out to confirm the suitability of the Moddex system in maritime conditions.

### Warranty

5 years from date of purchase subject to correct installation, use and maintenance in accordance with manufacturer's specifications and recommendations, unless otherwise negotiated at the time of purchase.

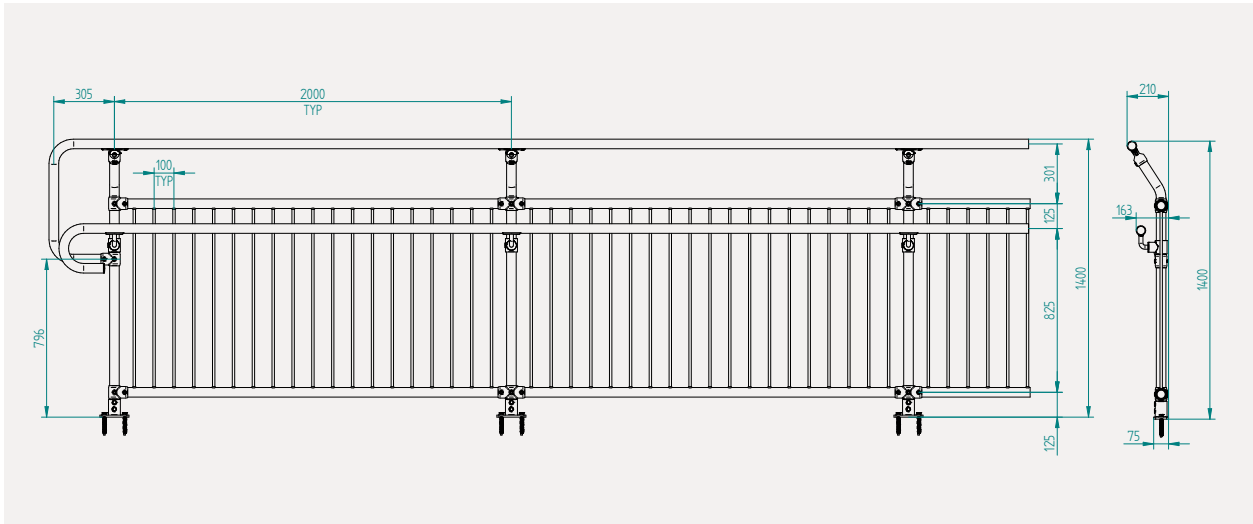
— Refer maintenance manual

### Inspection & Maintenance

Visual inspection for any damage or loose fixings must be done periodically and prior to use. No certified maintenance required. Basic wear and tear preventative maintenance is recommended, as per manufacturer's specifications and recommendations.

— Refer maintenance manual

## Technical Information



## Mount Dimensions

T4 - Top Mount (4 Fixings)	GD - Inground Mount	CD - Cored Mount

## Standard References

### Austrads Guide To Road Design; Part 6A

5.5.3 The installation of a fence at the side of a path used by cyclists is desirable where:

- there is a steep batter or large vertical drop located in close proximity to the path
- the path is adjacent to an arterial road and it is necessary to restrict cyclist access to the road
- a bridge or culvert exists on a path
- a hazard exists adjacent to a particular bicycle facility
- cyclists are likely to be 'blazing a separate trail' at an intersection between paths or around a path terminal.

**Important Note:** Failure to supply and/or install proprietary product in accordance with above Standards and codes, specification and instructions, voids complete system certification and/or warranty.

Designed and manufactured by Moddex. ©Moddex Group. All Rights Reserved.

For information or technical support please contact us

T 1800 663 339 (AU)

T 0800 663 339 (NZ)

[moddex.com.au](http://moddex.com.au) | [moddex.co.nz](http://moddex.co.nz)

BS45